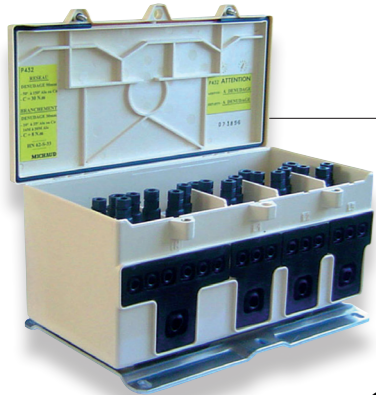


Aerial connection box 3 outlets



MICHAUD

Application

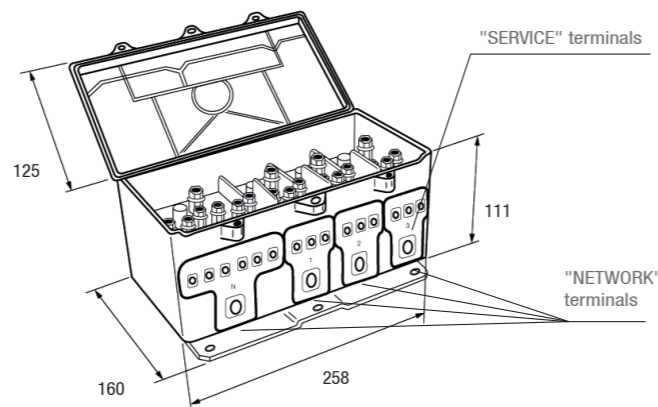
The box makes it possible to establish up to 6 single phase connections or up to 3 three phases connections at one point of the low voltage aerial bundled network. It can be installed on a façade or a pole. It can also be used at the network end.

Description

- The colour of the enclosure is ivory.
- The box is equipped with 4 connection blocks (1 neutral + 3 phases). The "neutral block" comprises one inlet and 6 outlets: each "phase box" comprises one inlet and 3 outlets. Network and Service terminals use either the insulation piercing technology or the stripping technology. The connection blocks are linked 2 by 2 by linking bars.
- Each connection block is accessible with the contact pin of a test probe.
- The inlet and outlet of the conductors in the lower part are performed through elastomer seal sockets.
- The box is delivered with an integrated anti corrosion metal fixing plate. The rigidity of this plate allows it to be installed on uneven surfaces.
- The cover is closed using 2 stainless steel screws.
- An integrated device enables the assembly to be sealed and possibly padlocked.
- The terminal separators inside the box enable the conductors to be connected in any order.
- The degree of protection of the enclosure is IP43 (according to **NF EN 60529**).
- When the cover is opened, the degree of protection of the live parts is IP2X.
- This box meet the acceptance criteria of the **HN 62-S-33** standard.

The benefits :

- + Perform single phase or three phases connections
- + Better spread charges on the network, thanks to the connections visibility
- + Guarantee the network durability (better resistance to corrosion and humidity)
- + Reduce the number of connectors (safer network organized, fraud-preventing strengthened)
- + Disconnect subscribers easily (network cable unimpacted, possibility to re-use connectors)
- + Check the potential at the connection terminals (with a test probe)
- + Guarantee a better fitters safety (electric shock risk limited)



Implementation

Caution: the connection is not designed to withstand a mechanical strength on the conductors, which must be anchored. The maximum flow power in the connection box is 110kVA.

	P 431	P 432
"NETWORK" terminals	<ul style="list-style-type: none"> • "NETWORK" terminals : Insulation piercing Capacity: 35mm² - 150mm² Al or Cu 	<ul style="list-style-type: none"> • "NETWORK" terminals : Stripping Capacity: 35mm² - 150mm² Al or Cu
	<ul style="list-style-type: none"> - Insert the conductor fully through the corresponding seal socket up to the stop. - Tighten the screw until the shear head breaks. - Use a wrench with 17mm hexagonal socket only. 	<ul style="list-style-type: none"> - Strip the conductor over a length of 90mm. - Brush the conductor with neutral grease. - Insert the conductor fully through the corresponding seal socket up to the stop. - Tighten the screw until the shear head breaks. - Use a wrench with 17mm hexagonal socket only.
"SERVICE" terminals	<ul style="list-style-type: none"> • "SERVICE" terminals : Insulation piercing Capacity: 10mm² - 35mm² Al or Cu 16M - 50M Al 	<ul style="list-style-type: none"> • "SERVICE" terminals : Stripping Capacity: 6mm² - 35mm² Al or Cu 16M - 50M Al
	<ul style="list-style-type: none"> - Insert the conductor fully through the seal socket up to the stop. - Tighten the screw until the shear head breaks. - Use a wrench with 10mm hexagonal socket only. 	<ul style="list-style-type: none"> - Strip the conductor to be connected over a length of 30mm. - Brush it with neutral grease. - Insert it fully through the seal socket up to the stop. - Tighten the screw until the shear head breaks. - Use a wrench with 10mm hexagonal socket only. - If reused, the conductor must be cut and stripped again. The recommended torque is 10Nm with an adapted spanner.

References

Code	Designation	Weight (kg)	Sales unit
P 431	INSULATION PIERCING AERIAL CONNECTION BOX 3 OUTLETS	2.880	1
P 432	STRIPPING AERIAL CONNECTION BOX 3 OUTLETS	2.776	1

Implementation video available on www.michaud-export.com
(tab Documentation > Implementation videos)

